

DH-PFH610A-IR-POE

14" Corrosive-proof IR POE Housing



Features

- IP67, IK10, Vandal-proof, Corrosive-proof, 14" IR, POE Housing
- Water-proof coating film
- Neat & Integrated design

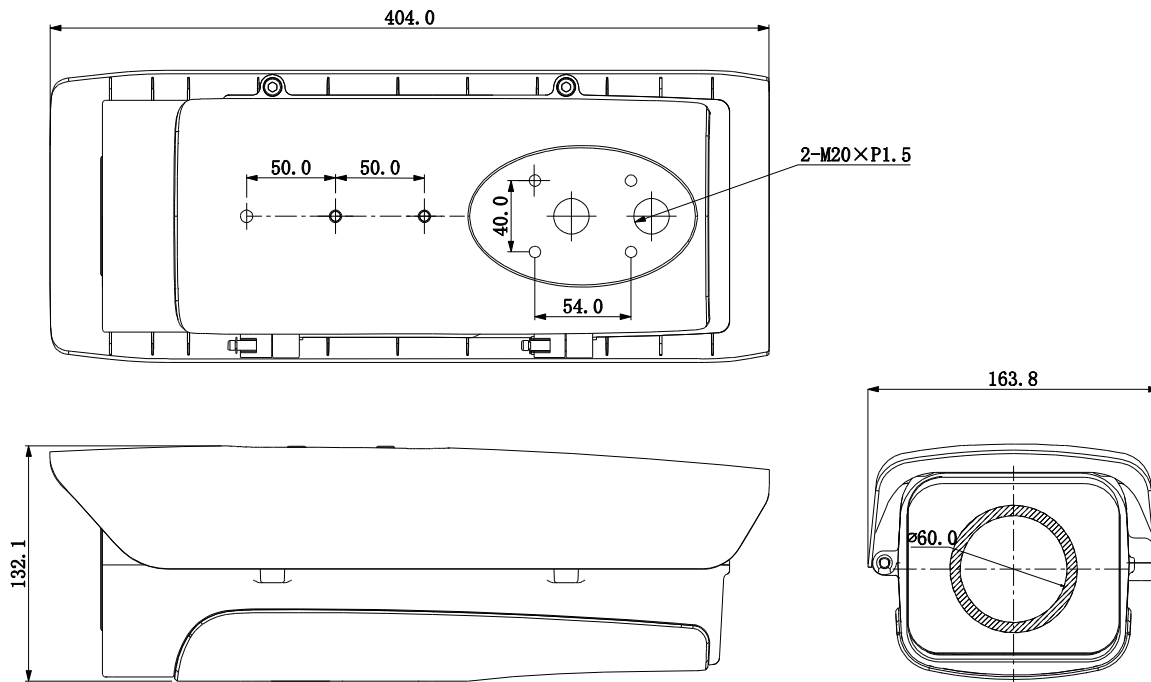
Technical Specifications

Model		DH-PFH610A-IR-POE
General		
Inside Dimension(LxWxH)		255mmx90mmx70.5mm(10.04"x3.54"x2.78") 215mmx90mmx83mm(8.46"x3.54"x3.27")
Window Dimension(LxWxH)		φ60mm(φ2.36")
Operating Temperature	Set	-40°C ~ +60°C(-40°F ~ +140°F)
	Heater	ON: < +5°C(+41°F)/ OFF: ≥ +5°C(+41°F)
	Cooler	ON: 37±1°C(98.6±33.8°F)/ OFF: 20±1°C(68±33.8°F)
IR Distance		0~100m(0~328.08ft)
Wiper		N/A
Power Supply		POE+
Power Consumption(without camera)		25.5W
Environmental		
Operating Temperature		-40°C ~ 60°C(-40°F ~ +140°F)
Humidity		<90% RH
Ingress Protection		IP67
Vandal Resistance		IK10
Corrosion Protection		Meet the criteria of NEMA 4X
Construction		
Material		Aluminum(case)&PC(others)
Dimension(LxWxH)		404mmx164mmx132mm(15.91"x6.46"x5.2")
Weight		3.1kg(6.83lb)
Others		
Certification		CE/FCC
Applicable Model		Please see "Accessory Selection"

Order Information

Type	Part Number	Description
Housing Series	DH-PFH610V-IR-POE	14" corrosive-proof IR POE housing _Dahua brand
	PFH610V-IR-POE	14" corrosive-proof IR POE housing _Neutral, no brand
Optional brackets	PFB604W	Wall-mount bracket
	PFB600W	Plane-mount bracket
	PFB601W	Ceiling-mount bracket
	PFA162	Support three-axis rotation for housing installation

Dimensions (mm)



Package Information

- 14" corrosive-proof IR POE housing *1
- Installation Instruction *1
- M20 Water Joint: 2
- M6 Screw: 2
- Wrench: 1
- Connecting line(link camera to IR driver board) *1
- Network cable(link camera to POE power module) *1
- Terminal *1

Package data	
Box Dimension	448mmx238mmx235mm(17.64"x9.37"x9.25")
Box Weight	3.3kg(7.28lb)
Protective Box Dimension	1225mmx500mmx460mm (48.23"x19.69"x18.11")
Box In Protective Box	10 In 1