

# DH-PFB606W

## Wall Mount Bracket

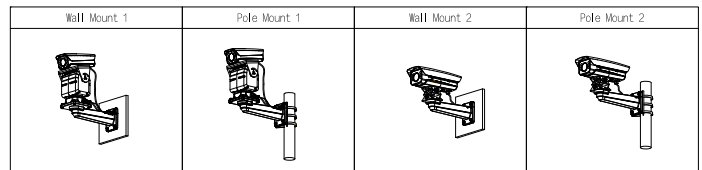


- Aluminium alloy.
- Convenient Installation.



### Scene

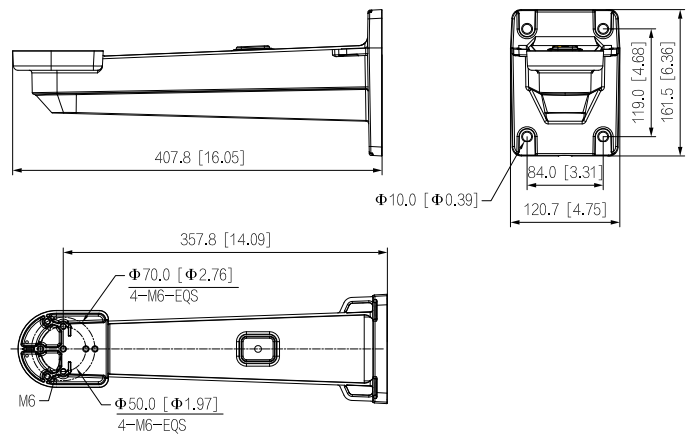
Ideal for mounting cameras, it works in temperatures ranging from  $-40\text{ }^{\circ}\text{C}$  to  $+60\text{ }^{\circ}\text{C}$  ( $-40\text{ }^{\circ}\text{F}$  to  $+140\text{ }^{\circ}\text{F}$ ) and in environments with relative humidity of less than 90%.



### Technical Specification

Model	DH-PFB606W
Material	Aluminum alloy
Dimensions	407.8 mm × 120.7 mm × 161.5 mm (16.05" × 4.75" × 6.36") (L × W × H)
Weight	1.1 kg (2.42 lb)
Load bearing	12.0 kg (26.452 lb)
Operating Temperature	$-40\text{ }^{\circ}\text{C}$ to $+60\text{ }^{\circ}\text{C}$ ( $-40\text{ }^{\circ}\text{F}$ to $+140\text{ }^{\circ}\text{F}$ )
Operating Humidity	< 90% (RH)
Color	White
Applicable Camera	Please see "Accessory Selection"

### Dimensions (mm[inch])



### Ordering Information

Type	Part Number	Description
Camera Mount	DH-PFB606W	Wall Mount Bracket
	DH-PFA170	Pan and Tilt Camera Bracket
	DH-PFA150	Pole Mount Bracket

## Package Information

Type	Quantities
Electric Pan/Tilt Wall Mount Bracket	1
M6×8 screws	1
M6×14 screws	4
ST8×80 screws	4
S6.0 wrench	1
S5.0 wrench	1
Safety rope	1