

# PFA118

## Mount Adapter



### Features

- Aesthetic design
- Material: USU304
- Mount adapter

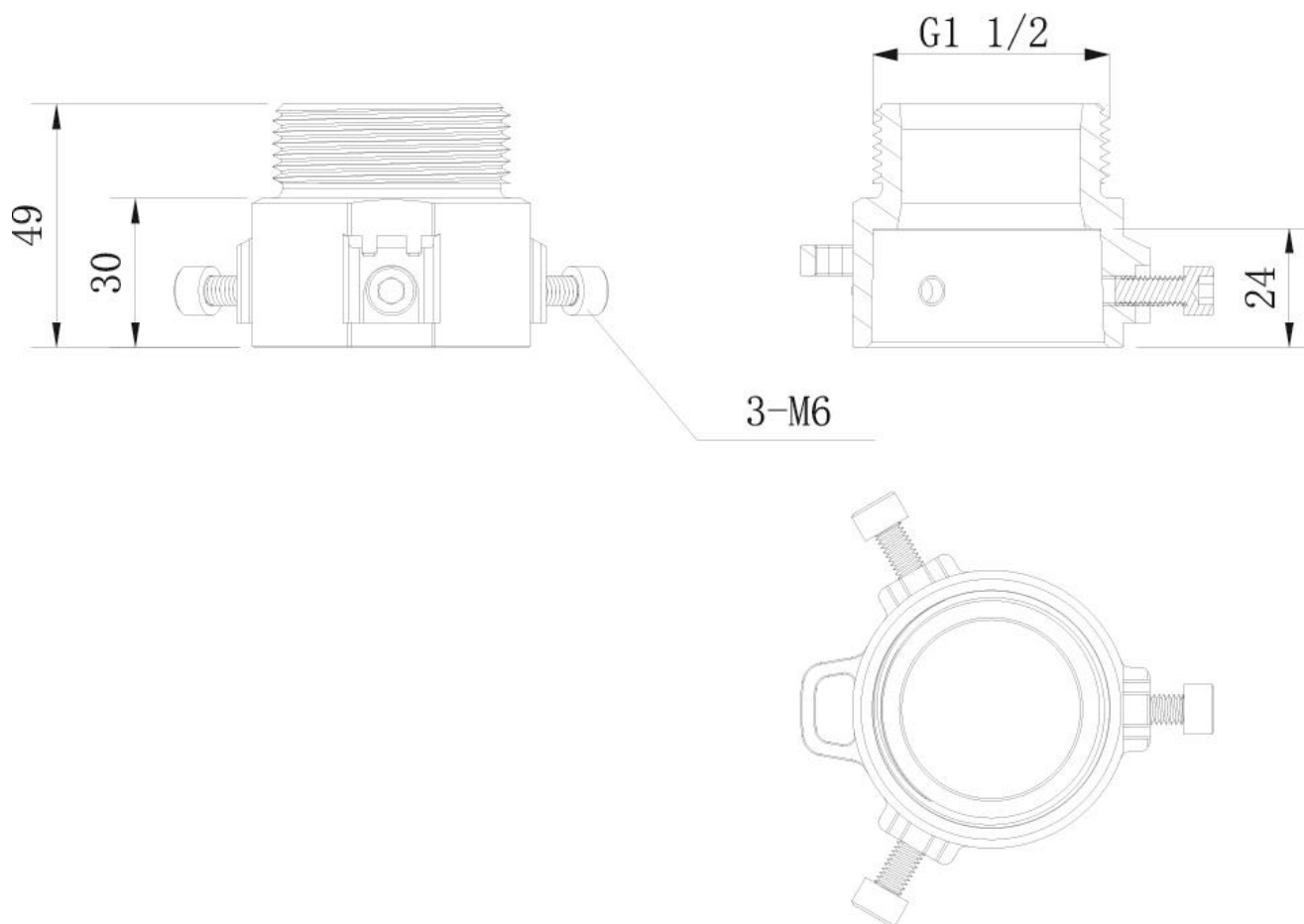
### Technical Specifications

<b>Model</b>	<b>PFA118</b>
<b>General</b>	
Material	SUS304
Dimension	49.0mm×Φ77.0mm
Pipe Thread	G1 1/2
Load Bearing	10kg
Weight	0.34kg
Color	White
Operating Temperature	-40°C ~ +60°C (-40°F ~ +140°F)
Humidity	<90% RH
Applicable Model	Please see "Accessory Selection"

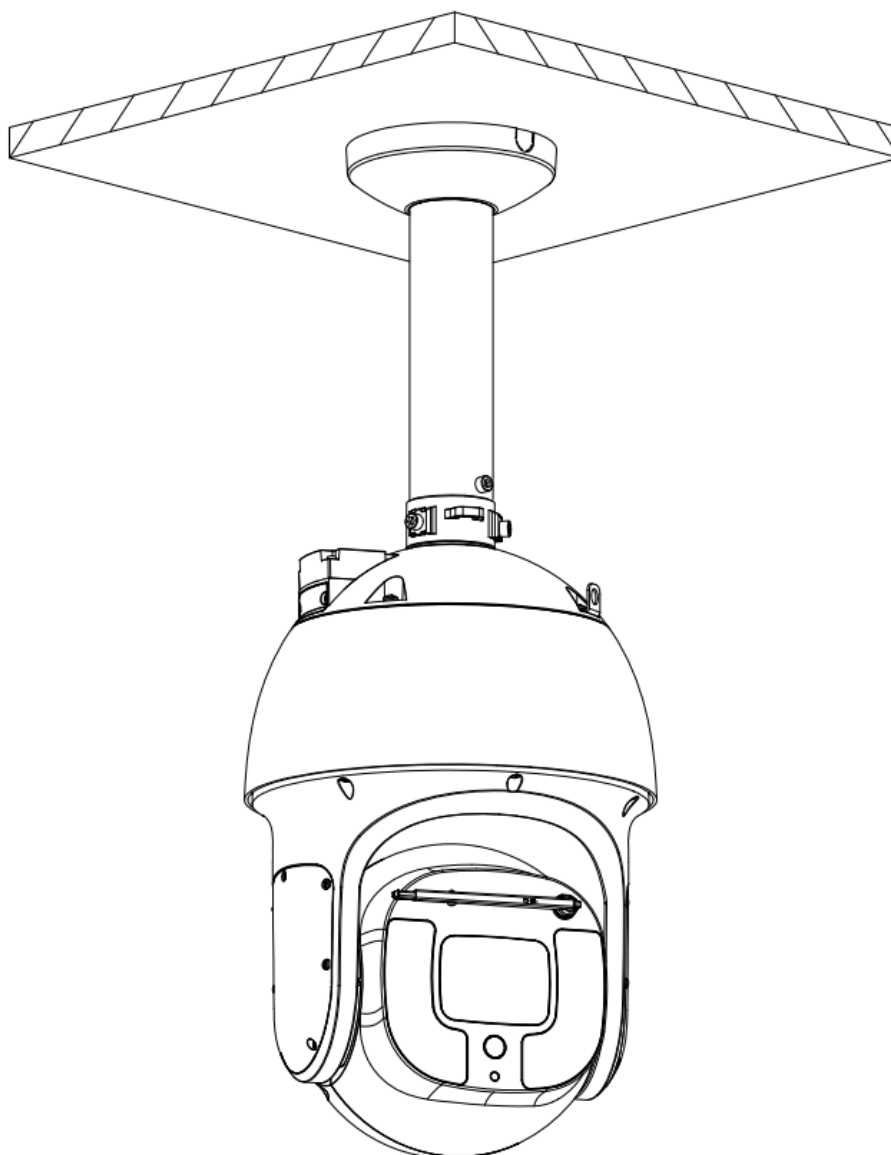
### Order Information

Type	Part Number	Description
Camera Mount	PFA111	Mount adapter

### Dimensions (mm/inch)



## Application



## Package Information

- Mount adapter \*1