

DH-PFA10C

Mount Adapter



- Aluminum alloy material
- Matched with particular cameras, beautiful and elegant designed



Scene

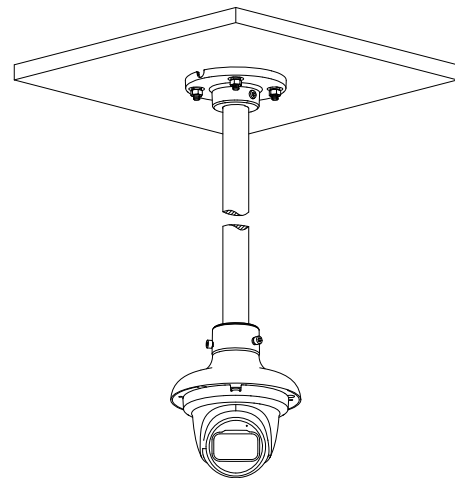
Suitable for camera mounting with operating temperature from -40°C to $+60^{\circ}\text{C}$ (-40°F to $+140^{\circ}\text{F}$) and relative humidity less than 90%.

Technical Specification	
Model	DH-PFA10C
Material	Aluminum alloy
Dimensions	166.0 mm × 166.0 mm × 83.5 mm (6.53" × 6.53" × 3.29") (L × W × H)
Weight	0.43 kg (0.95 lb)
Load Bearing	3.0 kg (6.61 lb)
Operating Temperature	-40°C to $+60^{\circ}\text{C}$ (-40°F to $+140^{\circ}\text{F}$)
Operating Humidity	<90% (RH)
Color	White
Applicable Camera	Please see "Accessory Selection"

Ordering Information

Type	Model	Description
Camera Mount	DH-PFA10C	Mount Adapter

Installation



Dimensions (mm[inch])

